

H100B Signalling Horn

H100B compact signal authentically and reliably reproduces the alert sound of traditional electro-mechanical units.

Rated for continuous use the H100 series is a compact, high output signal suitable for a variety of installation types. In addition to the 'buzzer' type sound the unit features a further two alarm sounds.

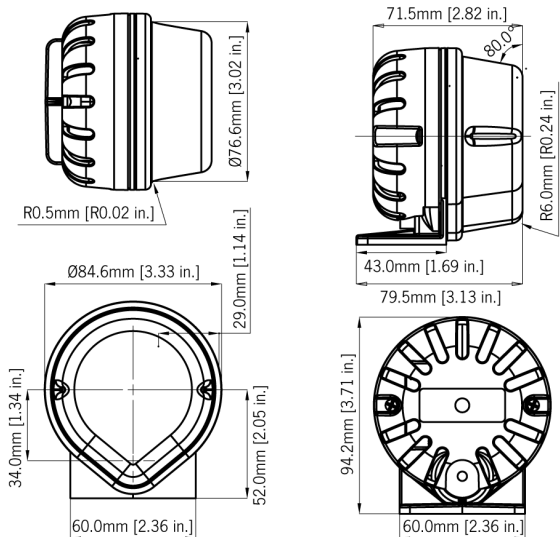
Features

- Volume control
- Stainless steel fixings.

Approvals

- GOST-R approved. Cert: POCC GB.JB05.H00144.





Specification

No. of tones:	3
Output:	100 dB(A) @ 1m [91dB(A) @ 10ft/3m]
Mounting:	Surface mount
Entries:	1 × 5-7mm push through grommet
Dimensions:	79.5 × 94.2mm
Ingress protection:	IP65
Housing material:	High impact ABS (UL94V0 & 5VA)
Terminals:	0.5 to 1.5mm ²
Operating temp:	-25 to +50°C [-13° to +122°F]
Storage temp:	-40 to +70°C [-40° to +158°F]
Relative humidity:	90% at 20°C [68°F]
Weight:	118g/0.25lbs

*SPL data +/-3dB(A). Measured at optimum voltage.

Part Codes

Version:	Part code:
12-30V ac/dc	H100B030G
40-260V ac/dc	H100B230G

Current Consumption

Version:	Voltage:	Current:
12-30V dc/ac	12V dc	10mA
12-30V dc/ac	24V dc	24mA
40-260V dc/ac	48V dc	15mA
12-30V dc/ac	12V ac 50/60Hz	30mA
12-30V dc/ac	24V ac 50Hz	62mA
40-260V dc/ac	48V ac 50/60Hz	25mA
40-260V dc/ac	115V dc	6mA
40-260V dc/ac	230V dc	3mA
40-260V dc/ac	115V ac 50/60Hz	19mA
40-260V dc/ac	230V ac 50/60Hz	10mA

Tone table

S 1 Description

T 1	800/1000Hz @ 7Hz Sweeping
T 2	Simulated buzzer sound
T 3	1200/500Hz @ 1Hz - DIN / PFEER P.T.A.P.